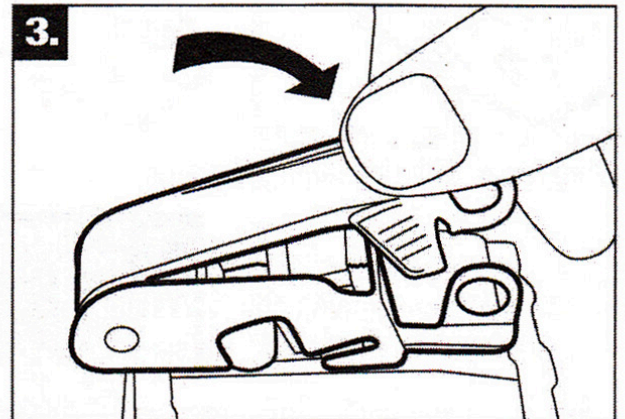
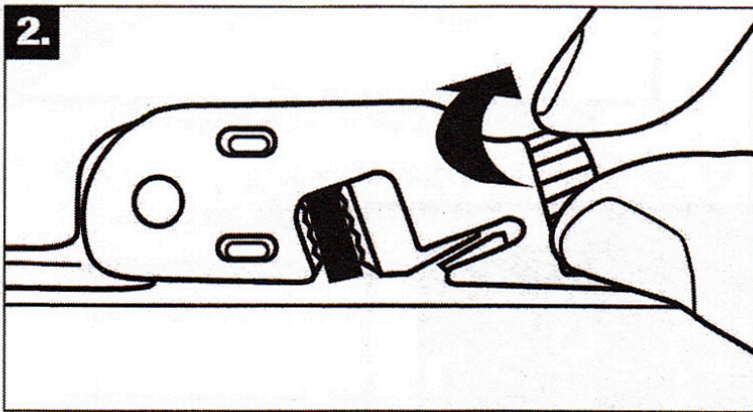
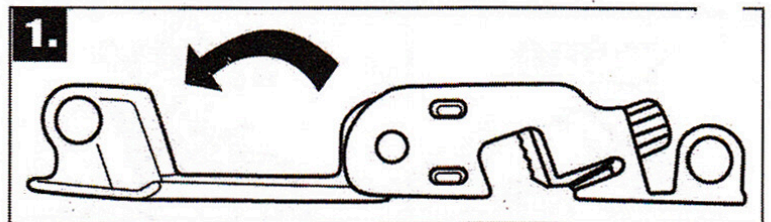
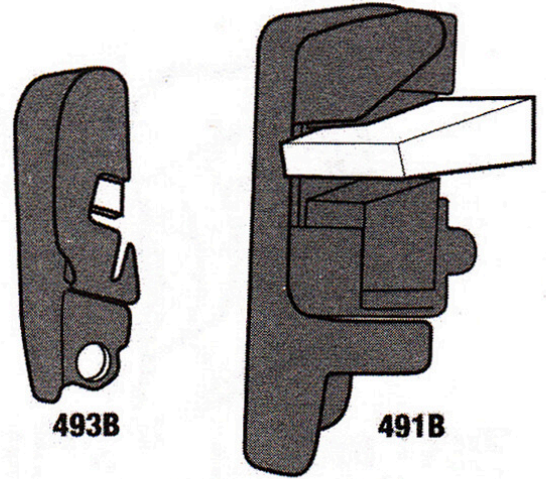


491B & 493B CIRCUIT BREAKER LOCKOUTS

1. Move breaker to off position and open red handle of lockout.
2. Place 493B lockout over breaker toggle or place 491B lockout on the side of breaker toggle. Turn black knob clockwise until grips touch toggle. Do not overtighten. When the handle is closed the grips will tighten against the toggle.
3. Move lockout handle to closed position. Check that lockout is secure and breaker can not be moved to "on" position.
4. Apply padlock.

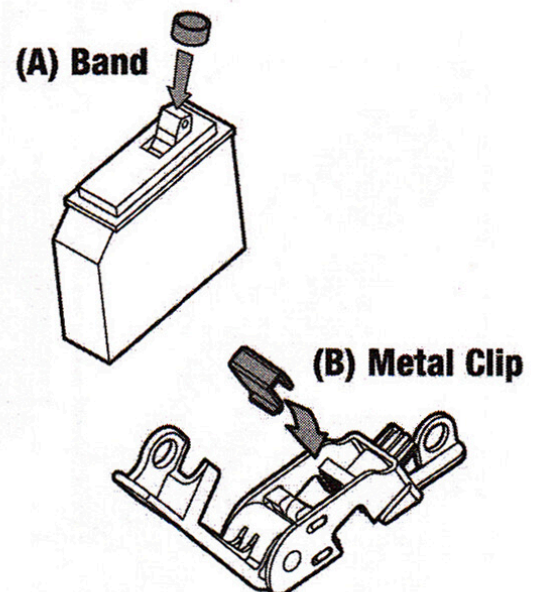
Model 506 includes 1 each 491B and 493B



Grip Tight™ Accessories

There are literally hundreds of different circuit breaker toggle styles and shapes. The 491B and 493B Grip Tight™ Circuit Breaker Lockouts work with the vast majority of breakers found in industrial facilities. But for those instances with an odd shaped toggle, we recommend the use of the enclosed **bands** (A). Place one or more bands over the breaker toggle then apply the Grip Tight Circuit Breaker Lockout.

For double or triple breakers with a metal tie bar, we recommend the use of the **metal clip** (B) included with the 493B and the 506. Slide it over the adjustable jaw of the 493B. Then apply the Grip Tight device to the breaker.



Master Lock is continually working to enhance our lockout products. If you find a circuit breaker where you do not get the grip that you think necessary, please email us at lockout@mlock.com. We will work to develop a solution to your lockout situation. Please provide complete information on the breaker (brand, model, dimensions, etc.).